

Reflections LED Module and Driver

EDI_ 1.0

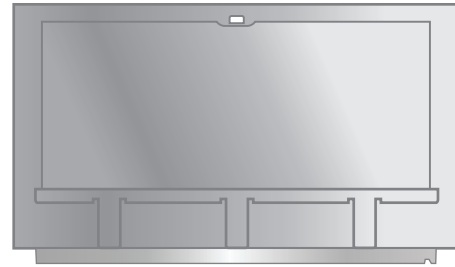
VISUAL COMFORT & Co.

ARCHITECTURAL COLLECTION

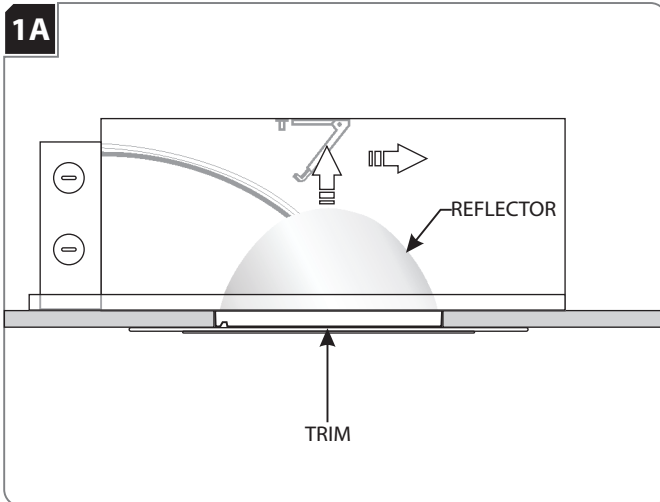
GENERAL PRODUCT INFORMATION:



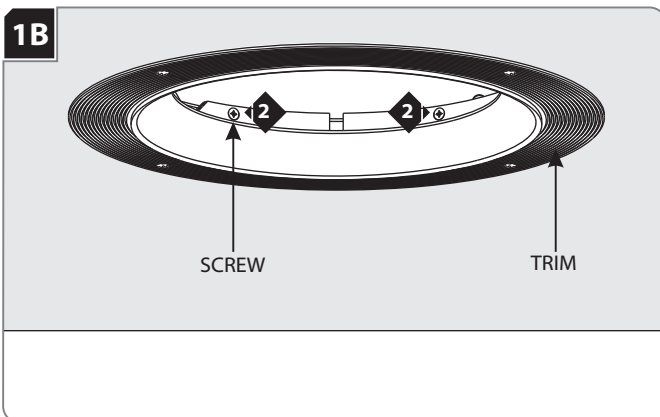
- Replace the LEDs (New Construction Fixture, Flangeless Trims), See Section 1.
- Replace the LEDs (Remodel Fixture, Flangeless Trims), See Section 2.
- Replace the Driver (New Construction Fixture), See Section 3.
- Replace the Driver (Remodel Fixtures), See Section 4.



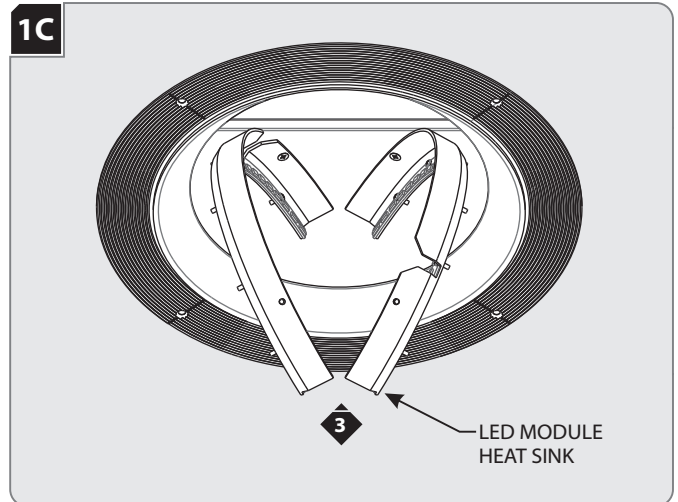
Replace the LEDs (New Construction Fixture, Flangeless Trims)



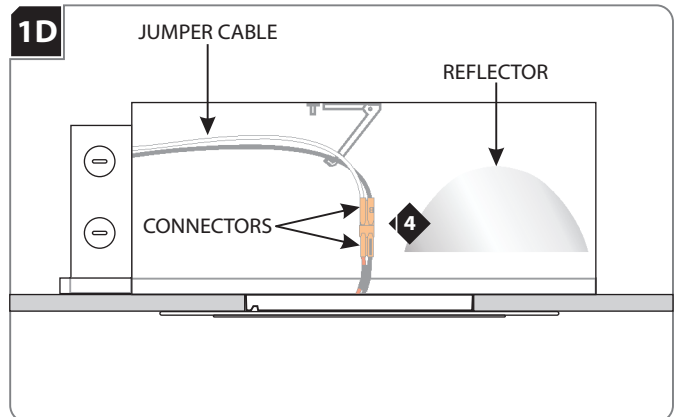
- 1** Carefully push the center of reflector into the housing and move it aside. The spring will guide the reflector away from the electrical box.



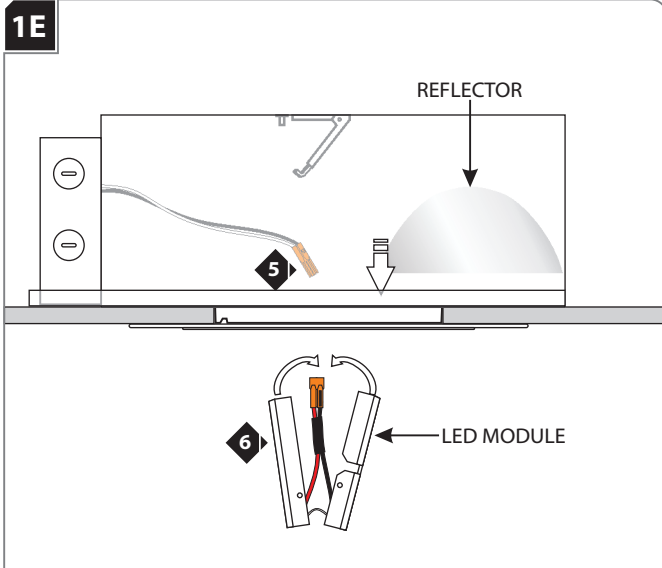
- 2** Reach inside the trim and unscrew the two screws holding the LED module heat sink in place. Repeat for other module.



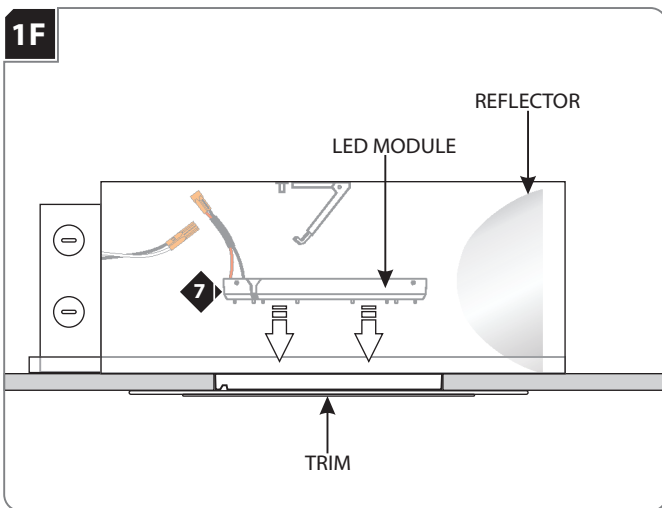
- 3** Slightly fold the two halves of the LED module together and remove them from the housing.



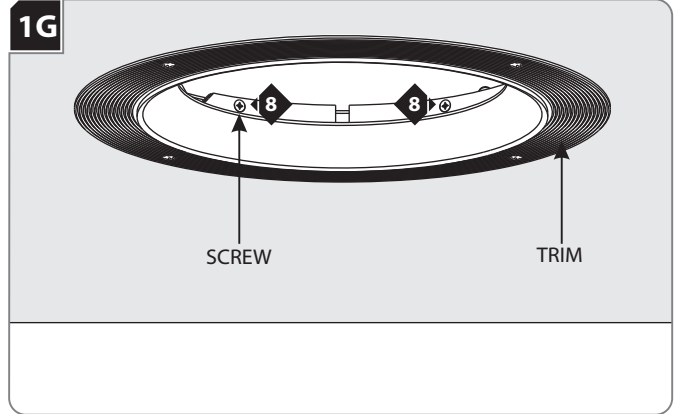
- 4** Disconnect the connectors from the jumper cables and LED modules.



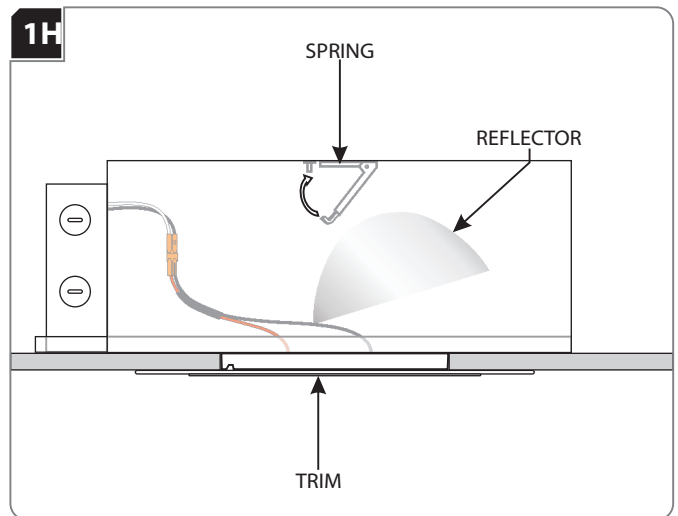
- 5 Reconnect the jumper cable and LED modules connectors.
- 6 Carefully fold the two new LED module pieces together just enough to insert them into the housing.



- 7 Open the LED module and position it so that the screw holes on the module align with the holes on the trim.



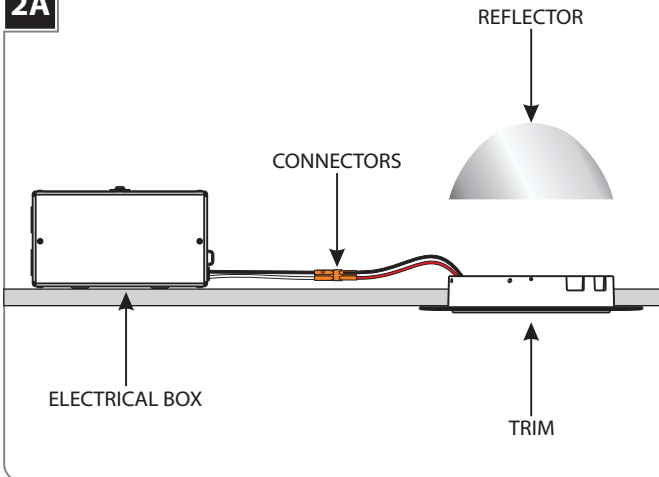
- 8 Reinstall the four screws to secure in place.



- 9 Push the spring up toward the housing, then reinstall the reflector back to the trim and make sure it's properly seated in the trim. **Make sure the wires do not become pinched.**

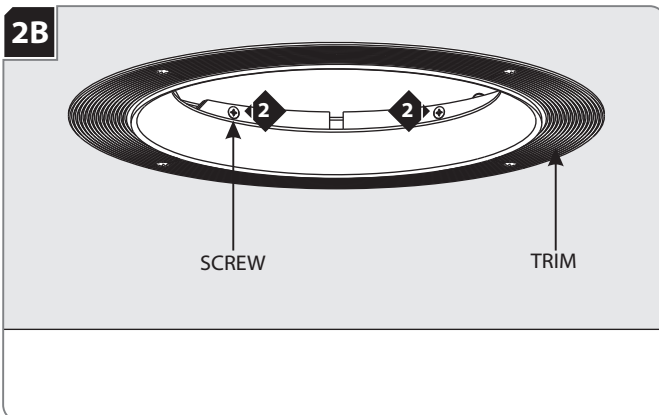
Replace the LEDs (Remodel Fixture, Flangeless Trims)

2A



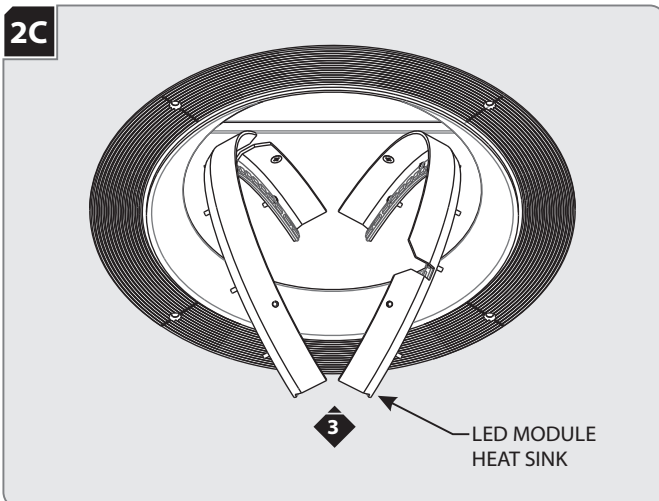
- 1 Carefully push the reflector up from the trim and set it to the side within reach.
- 2 Reach into the opening and disconnect the connectors between the electrical box and LED modules.

2B



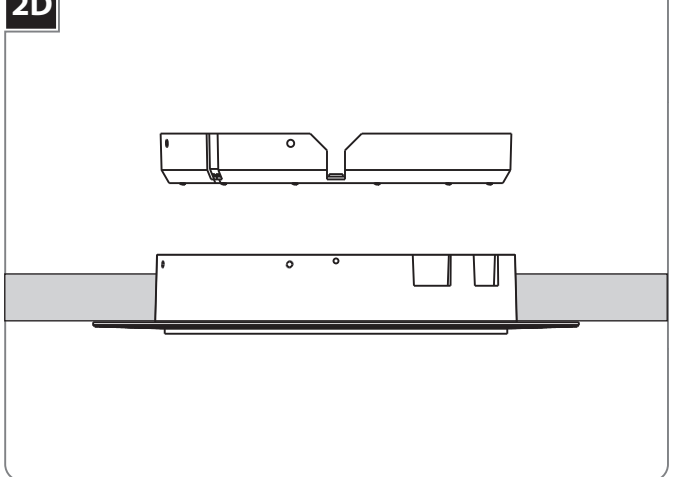
- 3 Reach inside the trim and unscrew the two screws holding the LED module heat sink in place. Repeat for other module.

2C



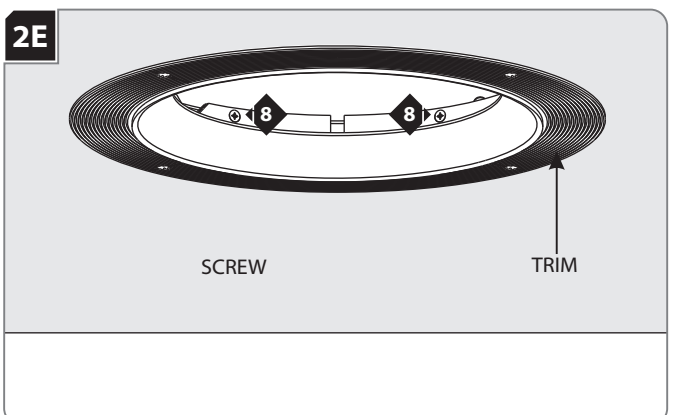
- 4 Slightly fold the two halves of the LED module together and remove them from the housing.

2D



- 5 Carefully fold the two new LED module pieces together just enough to insert them into the housing.
- 6 Open the LED module and position it so that the screw holes on the module align with the holes on the trim.

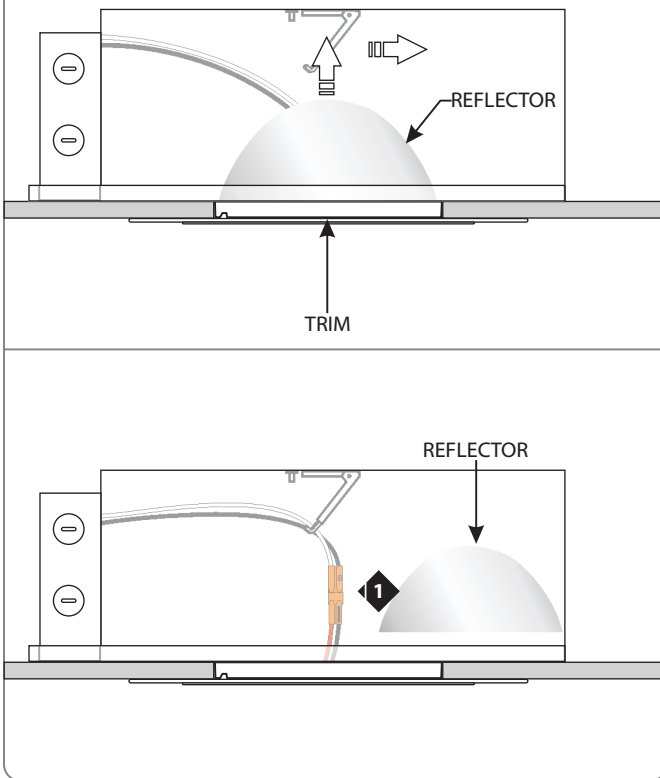
2E



- 7 Reinstall the four screws to secure in place.
- 8 Reinstall the reflector back to the trim. Make sure wires are pushed out of the way and the reflector is seated in the trim.

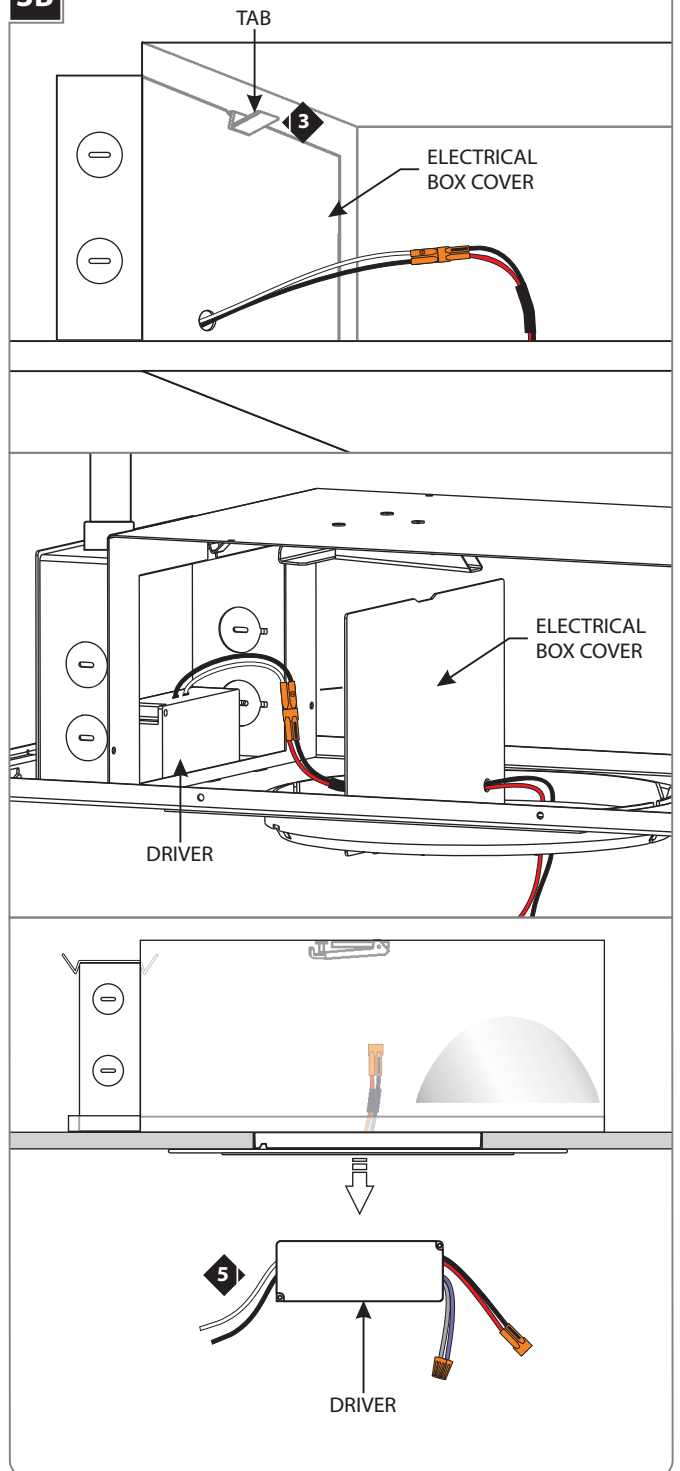
Replace the Driver (New Construction Fixture)

3A



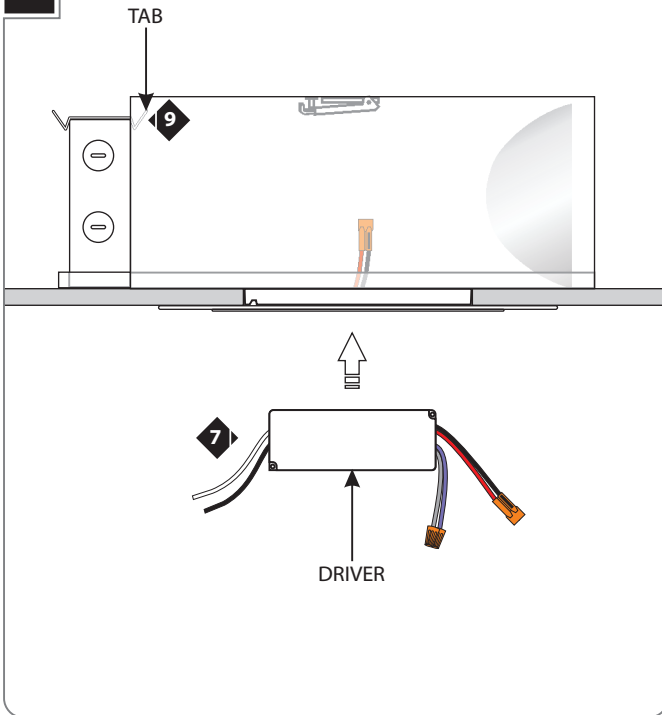
- 1** Carefully push the center of the reflector into the housing and move it aside. The spring will guide the reflector away from the electrical box.
- 2** Depress the spring and secure it with the spring screw for easier access.

3B



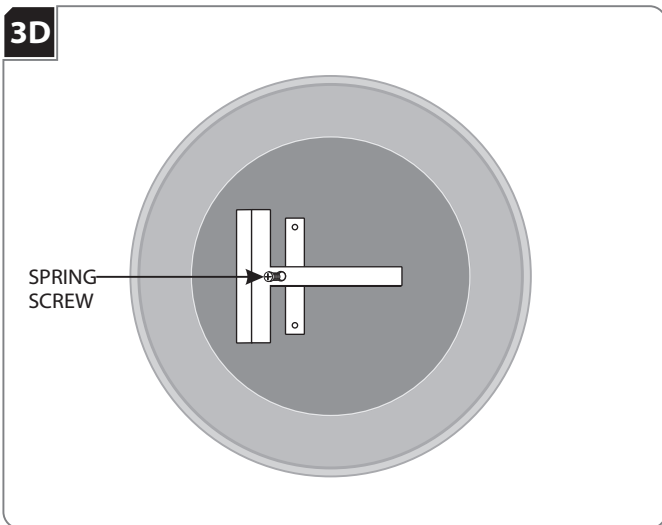
NOTE: Standard model shown. For wiring assistance, use the instructions provided with your fixture model.

- 3** Push on tab and remove electrical box cover.
- 4** Take note of the wire connections, disconnect the connectors from the jumper cable and driver, and remove the wire nut connections from the black and white driver wires.
- 5** Remove the driver from the housing.

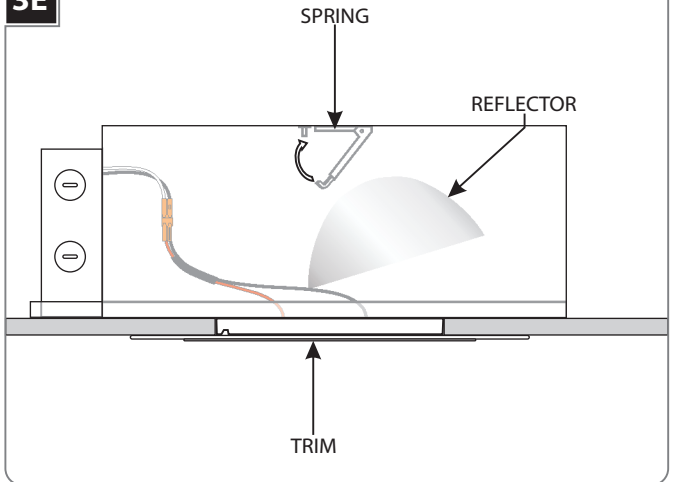
3C

NOTE: Standard model shown. For wiring assistance, use the instructions provided with your fixture model.

- 6 Reconnect all connector and wire connections between new driver and fixture according to fixture model.
- 7 Place new driver on housing pan inside electrical box.
- 8 Replace the electrical box cover. Make sure that no wires are pinched and that the top edge of the cover snaps under the tab on the housing.

3D

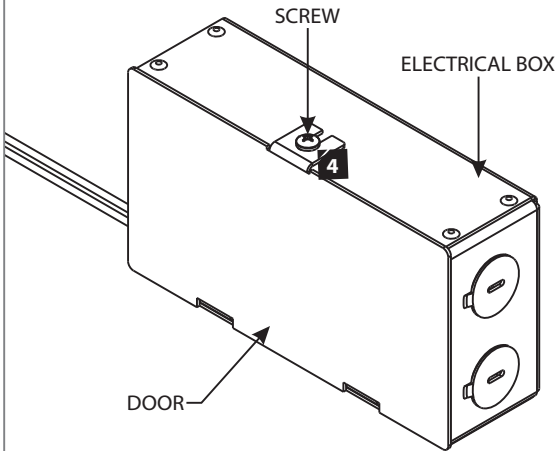
- 9 Remove the screw from the spring to release it.

3E

- 10 Push the spring up toward the housing, then reinstall the reflector back to the trim and make sure its properly seated in the trim. **Make sure the wires do not become pinched.**

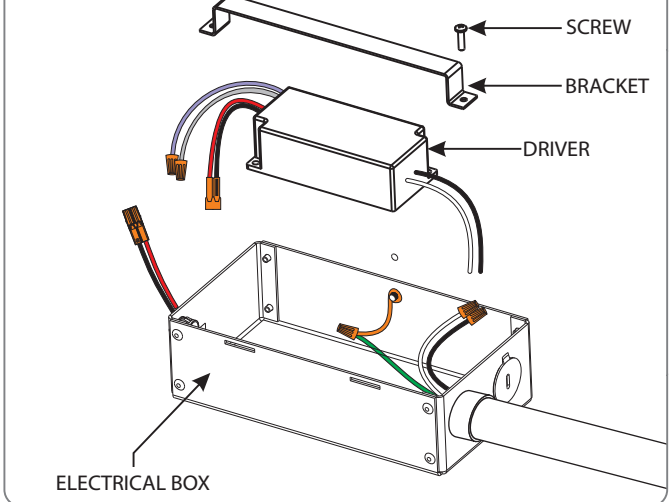
Replace the Driver (Remodel Fixtures)

4A



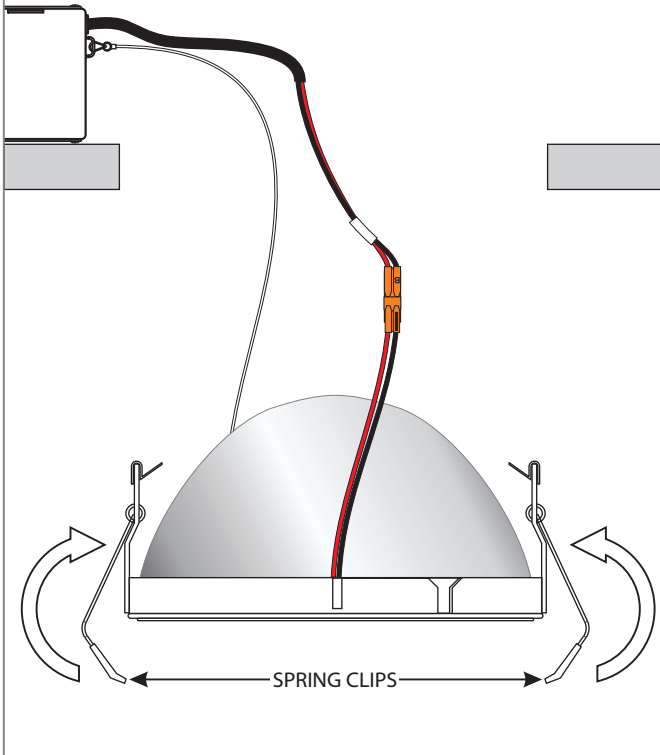
- 1 For **Flanged Trims**, pull the trim down from the ceiling.
- 2 For **Flangeless Trims**, carefully push the reflector up from the trim and set it to the side within reach.
- 3 Bring the electrical box down through the ceiling. For **Flangeless Trims**, unclip the strain relief cable from the electrical box and disconnect the jumper cable from the trim to fully remove the box.
- 4 Open the electrical box door by loosening the screw and removing the door.

4B



- 5 Loosen the screws and remove the driver bracket.
- 6 Take note of the wire connections and disconnect the driver.
- 7 Reconnect all wire connections between new driver and fixture according to fixture model.
- 8 Place new driver in electrical box and secure driver bracket with screws.
- 9 Replace the electrical box cover and tighten the screw. Make sure no wires are being pinched.
- 10 For **Flangeless Trims**, re-connect the strain relief cable to the electrical box and connect the jumper cable to the trim.
- 11 Place the electrical box in an appropriate location in the ceiling.

4C



12 For **Flanged Trims**, spread the two spring clips outward, then push the trim up into the ceiling cutout until secure making sure to neatly tuck in any wiring. **NOTE:** It is recommended to orient the trim such that the wire is facing the electrical box to prevent wires from becoming pinched.

13 For **Flangeless Trims**, reinstall the reflector back to the trim. Make sure wires are pushed out of the way and the reflector is properly seated in the trim.

SAVE THESE INSTRUCTIONS!